



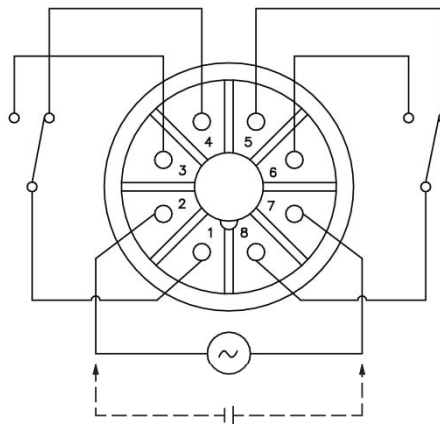
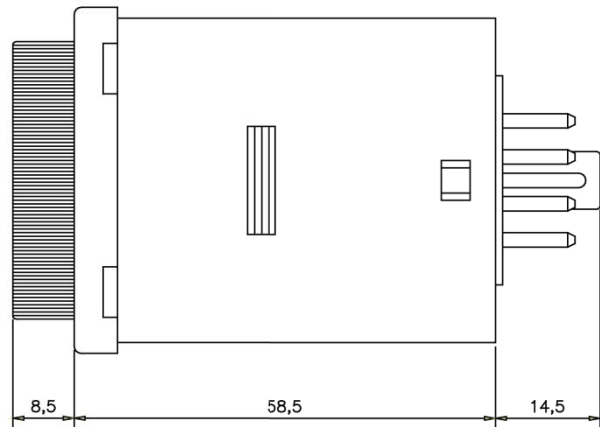
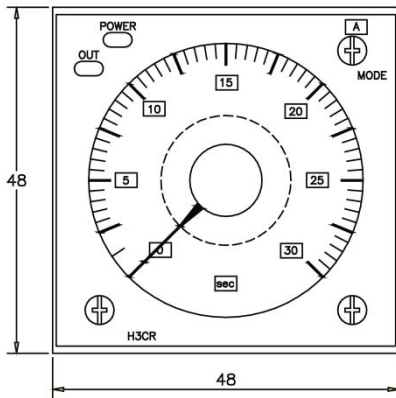
Features

- ✓ Field-selectable time ranges from 0.05 second to 300 hours.
- ✓ Use for delay timing, ON-delay and OFF-delay.
- ✓ Wide input voltage ranges model from 24 to 240Vac/dc, fit most applications and reduce spare part inventories.
- ✓ Timing functions : signal ON-delay (A), ON-OFF interval (B2), OFF-delay (E), Pulse Trigger (J)
- ✓ Timer LED indicators : POWER ON (green) flickers during operation, OUT (red) on when normally open contact is closed.
- ✓ Short (80mm.) panel mounting depth with socket allows for more space-efficient control panel design.

Specification

Type model	H3CR
Supply voltage (Un)	24~240V AC/DC
Operating voltage	±10%
Time setting range	0.2 Sec. to 300 hrs.
Control output	DPDT relay type
Contact rating	5a @ 250Vac
Repeat accuracy	Max ±0.5%
Dielectric strength	1,500Vac for 1 minute
Operating temperature	-25°C to +70°C
Protection type	IP40

Dimension



Ratio 1:1 mm.

Time - chart

