



Description

NOVA LED semaphore indicator is used as a states indicator of the circuit breaker, disconnector or earthing switch. The indicator is mounted on the panel with mounting hole diameter 22.3 mm. and operated by two color LED. The two colors are red and green, detail description is as below:

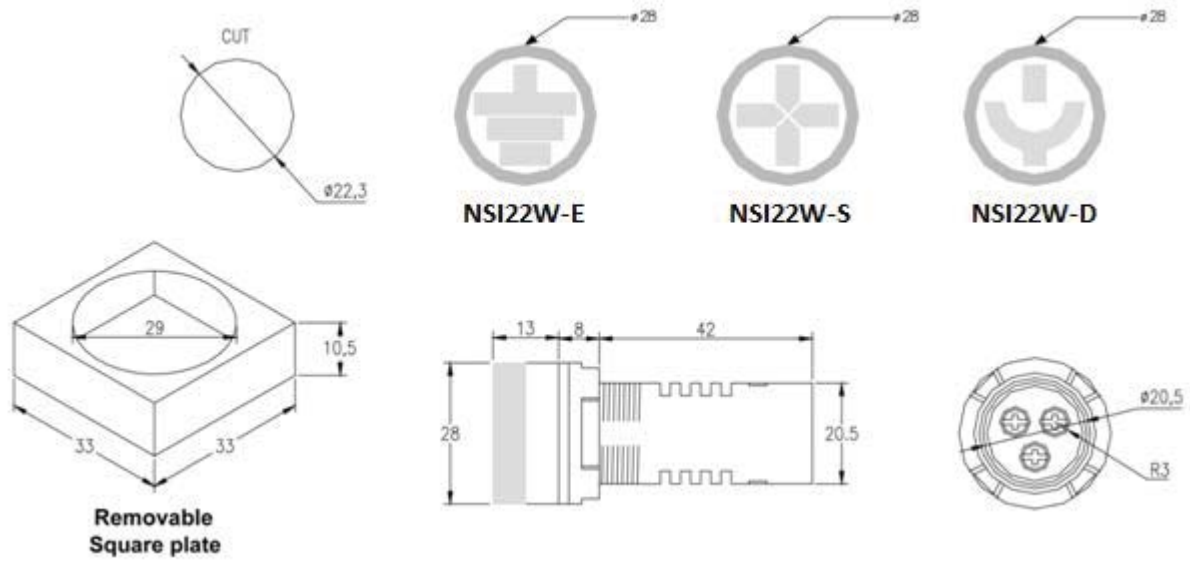
MODEL	Symbol	Connection		Equipment Status	
		X0-X1	X0-X2		
Draw Out		Red		Service	
			Green		Test
Grounding or Earth		Red		Close	
			Green		Open
Operation		Red		Close	
			Green		Open

Specification

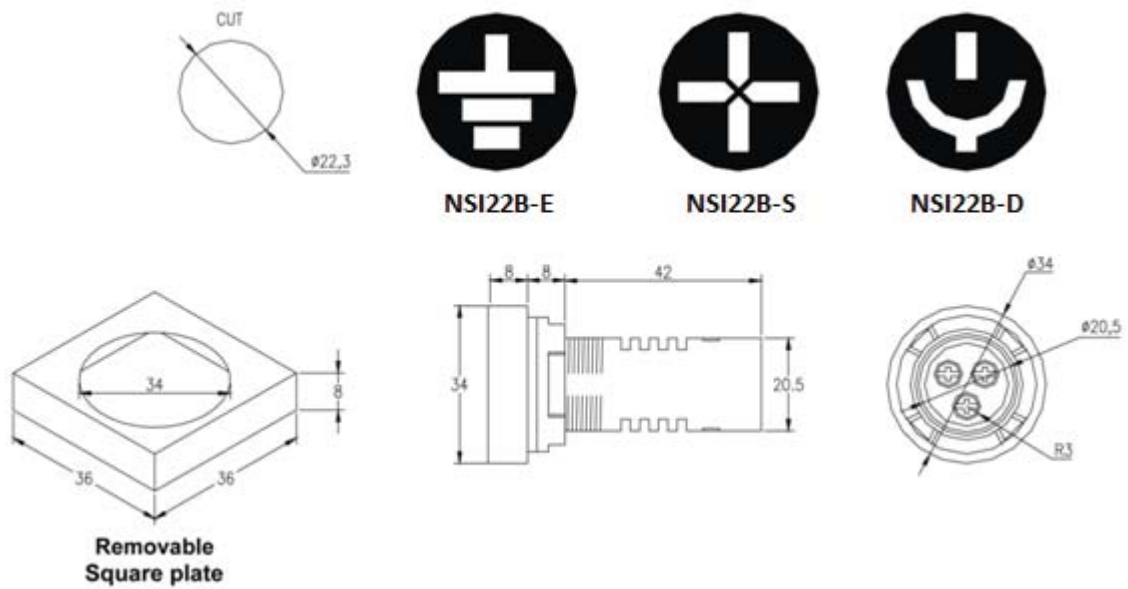
Conform to standards IEC 60073 (Lamp colors) and IEC 60947-5

Type	NSI22
Insulation withstand voltage	10MΩ at DC 500V, AC 1,500V/min
Electrical life time	Above 50,000 hrs.
Operating current	4-6 mA
Power consumptions	0.12W (24Vdc), 0.24W (48Vdc), 0.55W (110Vdc), 0.625W (125Vdc), 1.10W (220Vdc)
Ambient temp.	-5°C ~ +55°C
Storage temp.	-20°C ~ 70°C
Ambient humidity	45 ~ 85%
Head protection class (front plate)	IP40
Cut out	22.3 mm
Weight	30g.

Dimension

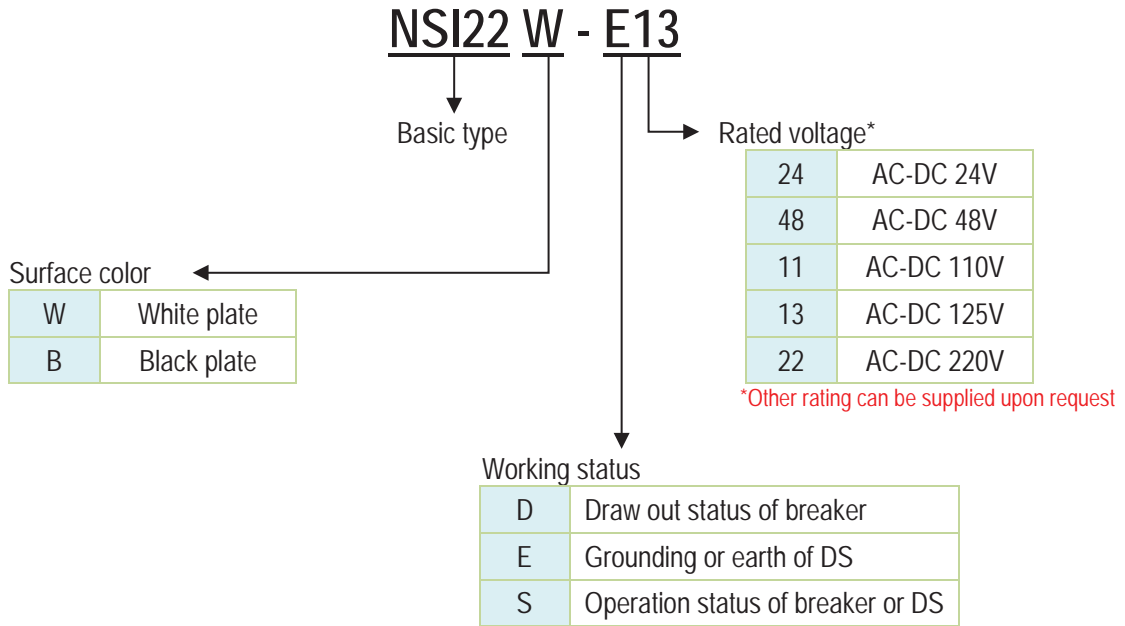


NSI22W (White plate)



NSI22B (Black plate)

Product Coding



Wiring Diagram

