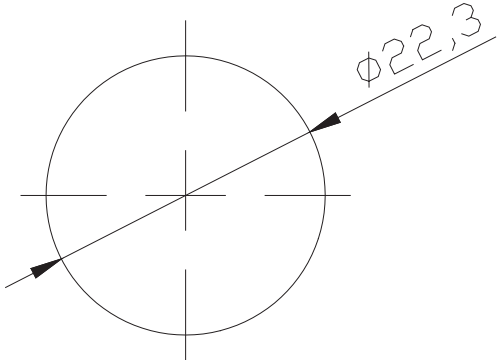




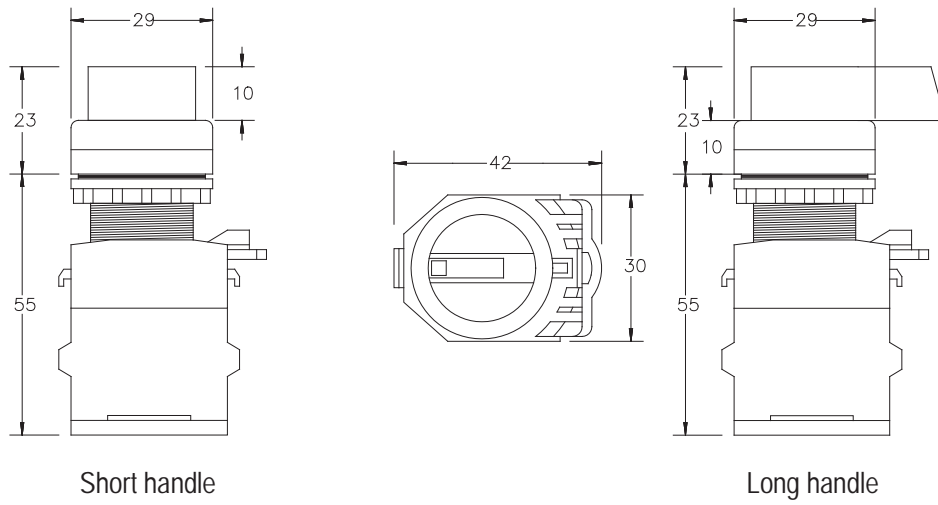
Specification

Insulation withstand voltage	10MΩ at DC 500V AC 1,500V/min.
Mechanical life time	3 x 10 ⁵
Electrical life time	12 x 10 ⁵
Ambient temperature	-5°C ~ +55°C
Storage temperature	-20°C ~ 70°C
Ambient humidity	45 ~ 85%
Head protection class	IP54
Cut out	22.3 mm.

Cut out dimension



Ratio 1:1 mm.



Ratio 1:1 mm.

Product Coding

