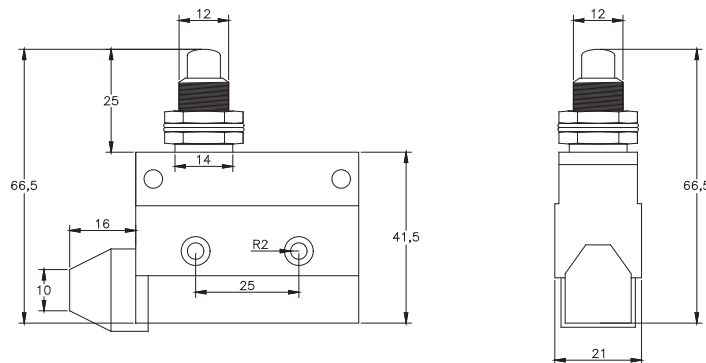




## Specification

Operating Frequency	Mechanical : 240 ops/min Electrical : 20 ops/min
Service Life	Mechanically : 1.0x10 <sup>6</sup> (operations) Electrically : 5x10 <sup>6</sup> (operations)
Rated Voltage/Current	10A at 250VAC
Rated Insulation Voltage	600VAC
Operating Temperature	-20° to +80°C (-4° to 176°F)
Dielectric Strength	1500VAC 50/60Hz (For 1 min)
Degree of Protection	IP63

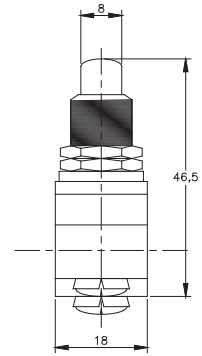
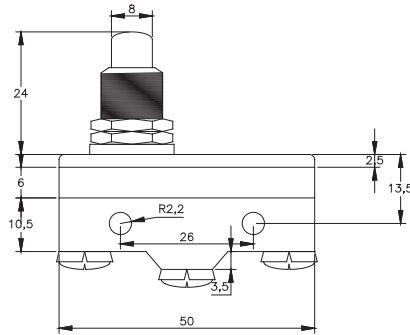
## Dimension



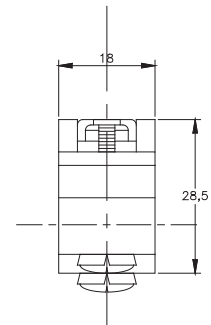
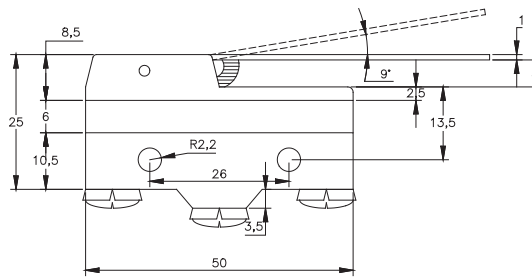
NLS – DS

Ratio 1:1 mm.

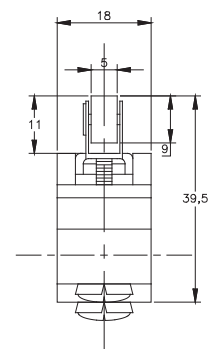
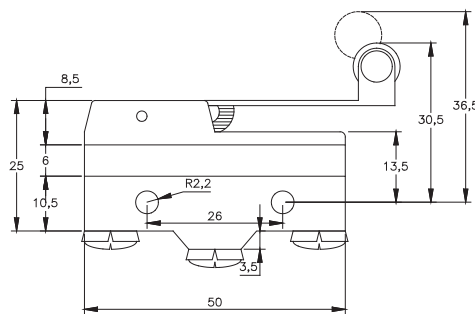
## Dimension



NLZ - 15GQ - B



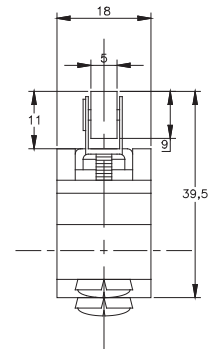
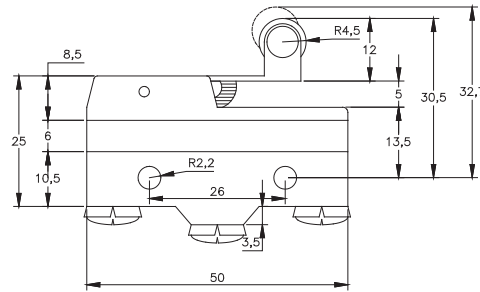
NLZ - 15GW - B



NLZ - 15GW2 - B

Ratio 1:1 mm.

## Dimension



NLZ - 15GW22 - B

Ratio 1:1 mm.

### Definitions of Operating Characteristics

OF Operating Force

PT Pre travel

RF Releasing Force

MD Movement Differential

OT Over travel

OP Operating position

Type	NLS-DS	NLZ-15GQ-B	NLZ-15GW-B	NLZ-15GW2-B	NLZ-15GW22-B
OF <sub>max</sub>	600g	350g	100g	200g	130g
RF <sub>min</sub>	100g	114g	14g	42g	21g
PT <sub>max</sub>	2.0mm	0.4mm	10.0mm	2.7mm	7.1mm
OT <sub>min</sub>	6.0mm	5.5mm	5.6mm	2.4mm	4.0mm
MD <sub>max</sub>	0.8mm	0.05mm	2.0mm	0.8mm	1.6mm
FP <sub>max</sub>	-	-	28.2mm	32.9mm	36.5mm
OP	21.8±1.2mm	19.0±0.8mm	19.0±0.8mm	30.2±0.4mm	30.2±0.8mm